

HOROLOGICAL MACHINE N°2

**MB&F**



**Functions**

05

**Operating instructions**

07

**Removing strap**

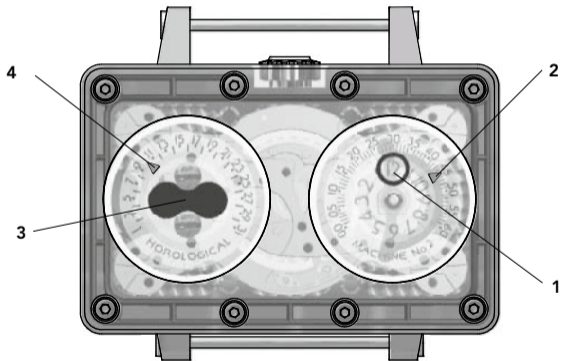
11

**Attaching strap**

15

## HOROLOGICAL MACHINE N°2

---



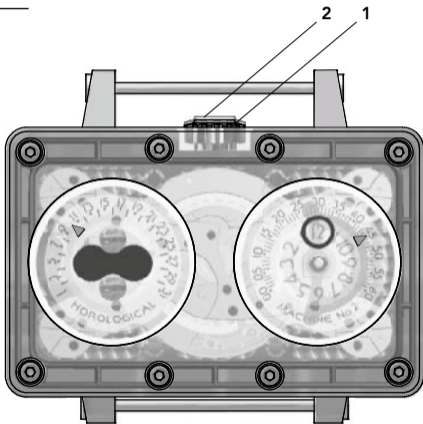
## Functions

---

1. Instantaneous jumping hour
2. Concentric retrograde minutes
3. Moon phase
4. Concentric retrograde date

## HOROLOGICAL MACHINE N°2

---



## Operating instructions

---

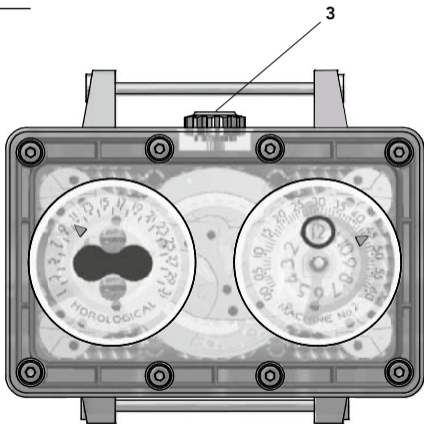
### Date setting

The crown has 3 positions:

1. "In" position = Normal position when wearing the watch and **winding crown clockwise**.
2. Intermediate position = Slide the crown to the first notch and turn the crown clockwise to the correct **date**. Slide the crown back against the case when finished.

## HOROLOGICAL MACHINE N°2

---





## Time setting

---

3. "Out" position = Fully slide the crown out and turn the crown clockwise to the correct **time**. Slide the crown back against the case when finished.

Your watch is equipped with an automatic movement. If it has stopped, check that the crown is fully in (position 1) and wind it a few turns clockwise.

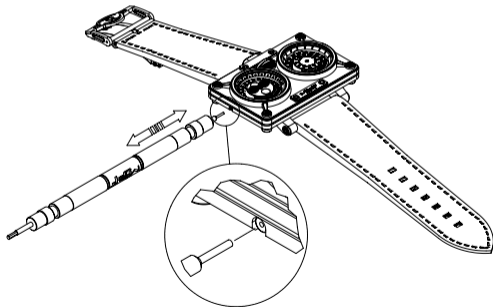
**Warning:** when setting time, please turn the crown smoothly after "50" to avoid damaging the date gear train.

## Adjusting the moon phase

---

To adjust the moon phase, gently position the supplied tool in the corrector hole, which is located on the left-hand side of the case.

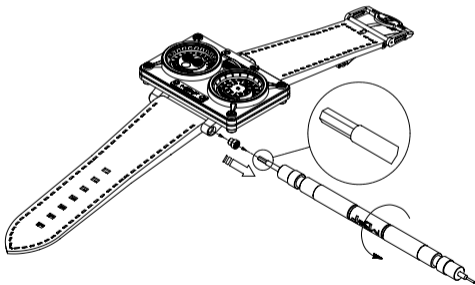
To avoid damaging the moon phase gear train, do not adjust the moon phase between 9 pm and 2 am.



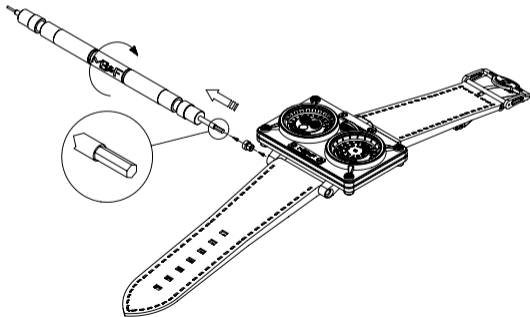
## To change the strap – Removing strap

---

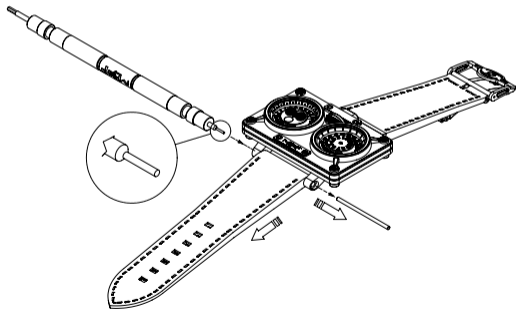
1. Remove the screw on the right-hand lug by turning anticlockwise with the supplied screwdriver.



- 
2. Remove the screw on the left-hand lug by turning anticlockwise with the supplied screwdriver.



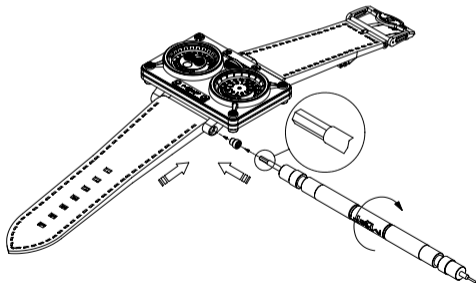
- 
3. Push the central pin out from between the strap and the lugs and remove the strap. Repeat steps 1-3 on the other side of the case.



## To change the strap – Attaching strap

---

1. Place the new strap between the lugs and slide the central pin through lugs and strap.
2. Screw-in the right-hand screw in the lug by turning the screwdriver in a clockwise direction.



- 
3. Screw-in the left-hand screw in the lug by turning the screwdriver in a clockwise direction. Repeat steps 1-3 on the other side of the case.

