

HOROLOGICAL MACHINE N°3

MB&F

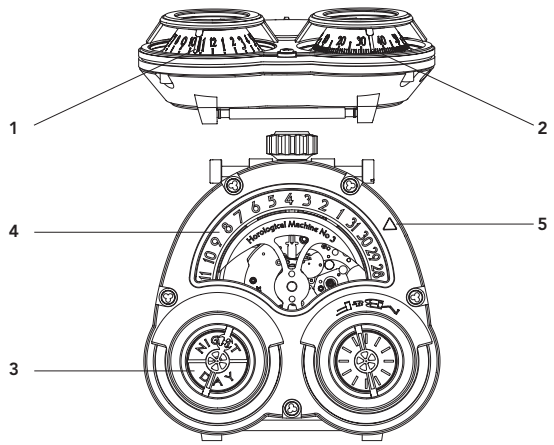
HOROLOGICAL MACHINE N°3 STARCUISE

05

HOROLOGICAL MACHINE N°3 SIDEWINDER

11

HOROLOGICAL MACHINE N°3 STARCruiser

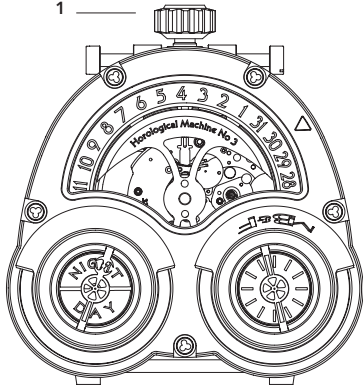


Functions

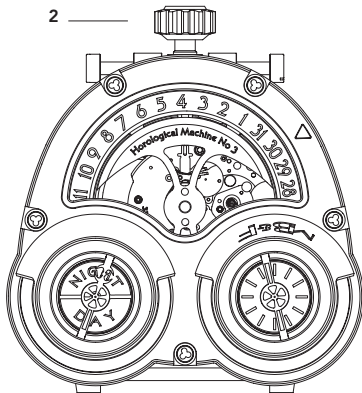
1. Hour
2. Minute
3. Night & Day indicator
4. Date ring
5. Date indicator

HOROLOGICAL MACHINE N°3 STARCRUISER

1



2



Operating instructions

1. Winding

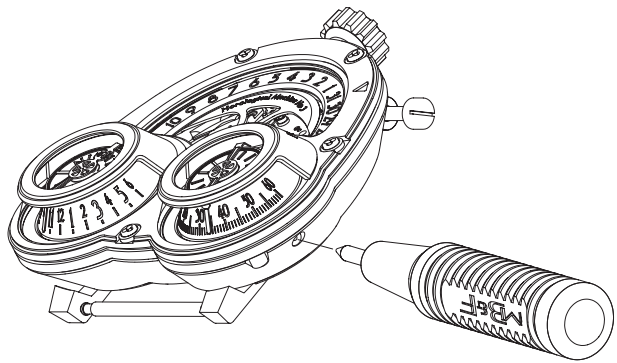
Your watch is equipped with an automatic movement and a screwed-down crown.

If it has stopped, turn the crown anticlockwise to slide the crown out and wind the crown a few turns (clockwise).

2. Time setting

«Out» position: turn the crown anticlockwise and slide it fully out. Turn the crown to correct time.

HOROLOGICAL MACHINE N°3 STARCruiser

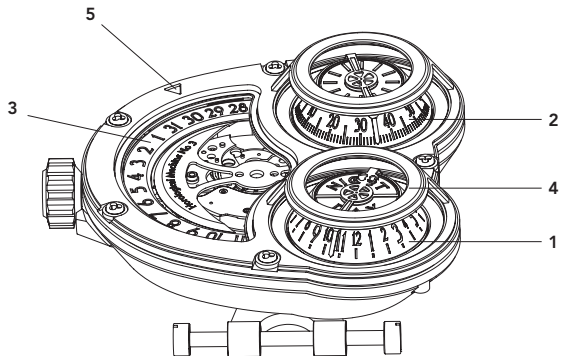


Date setting

To adjust the date, gently position the supplied tool in the corrector hole, which is located on the right-hand side of the case.

Warning: to avoid damaging the date gear train, do not adjust the date between 8.00 p.m. and 3.00 a.m.

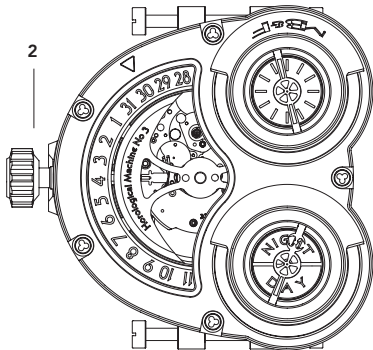
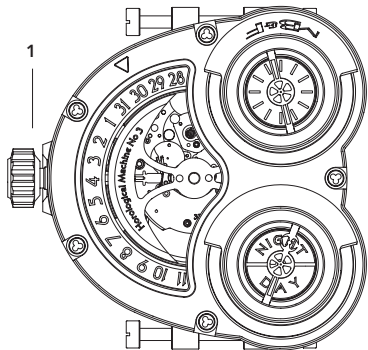
HOROLOGICAL MACHINE N°3 SIDEWINDER



Functions

1. Hour
2. Minute
3. Date ring
4. Night & Day indicator
5. Date indicator

HOROLOGICAL MACHINE N°3 SIDEWINDER



Operating instructions

1. Winding

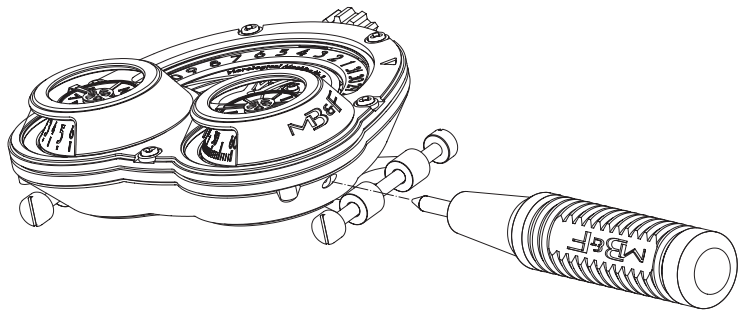
Your watch is equipped with an automatic movement and a screwed-down crown.

If it has stopped, turn the crown anticlockwise to slide the crown out and wind the crown a few turns (clockwise).

2. Time setting

«Out» position: turn the crown anticlockwise and slide it fully out. Turn the crown to correct time.

HOROLOGICAL MACHINE N°3 SIDEWINDER



Date setting

To adjust the date, gently position the supplied tool in the corrector hole, which is located on the right-hand side of the case.

Warning: to avoid damaging the date gear train, do not adjust the date between 8.00 p.m. and 3.00 a.m.

