



MB&F

HMX BLACK BADGER

HMX BLACK BADGER

FUNCTIONS

05

OPERATING INSTRUCTIONS / WINDING

07

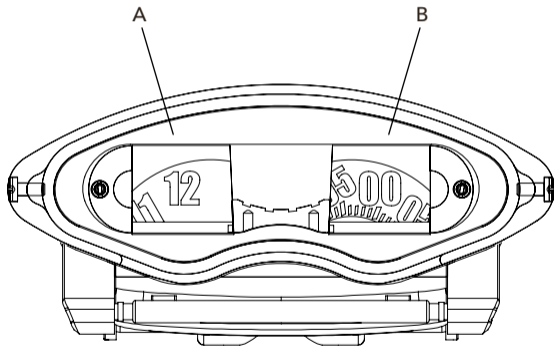
OPERATING INSTRUCTIONS / TIME SETTING

09

OPERATING INSTRUCTIONS / LUMINESCENCE

11

HMX BLACK BADGER



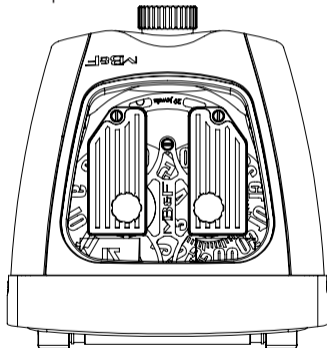
FUNCTIONS

A HOUR
 Bi-directional jumping hour

B MINUTE

HMX BLACK BADGER

position 1



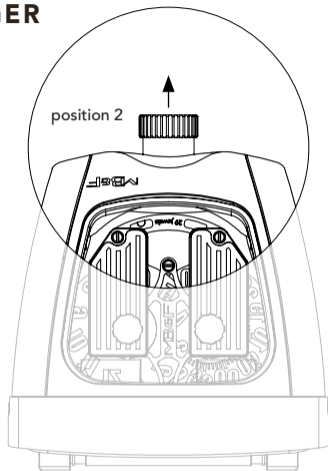
OPERATING INSTRUCTIONS

WINDING

Your watch is equipped with an automatic movement.

If it has stopped, wind the crown (position 1) a few turns clockwise.

HMX BLACK BADGER



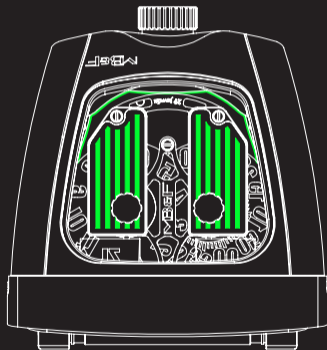
OPERATING INSTRUCTIONS

TIME SETTING

Pull the crown "out" (position 2) and rotate to set the time.

The time can be set forward or backwards by rotating clockwise or anti-clockwise.

HMX BLACK BADGER



OPERATING INSTRUCTIONS

LUMINESCENCE

Your HMX Black Badger has the distinctive feature of glowing in the dark thanks to the special luminescent material integrated inside the case.

To charge the luminescent material, you must subject it to light.

The HMX Black Badger blue and green variants can be charged with standard light and UV (ultra-violet) light, while the purple variant must be charged with UV light only.

